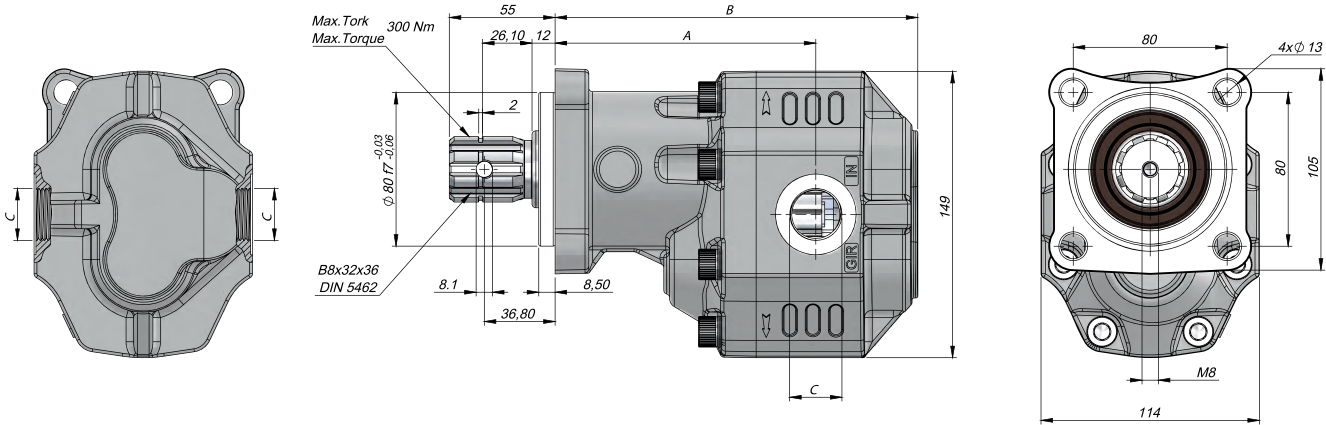


TECHNICAL DATA

30 SERIES 4 HOLES ISO BI-DIRECTIONAL GEAR PUMP

| | | | |
|---------------------------|---------------|--------------|------------------|
| Inlet Pressure | | 0.7÷ 1.5 bar | |
| Operating Viscosity Range | | -12:100 cSt | |
| Fluid Temperature | | -10 °C+80 °C | |
| Working Pressure | Contamination | | Filter |
| | NAS 1638 | ISO 4406 | $\beta_x=75$ |
| ≥ 200 bar | 11 | 20/17 | 25 μm |
| ≤ 200 bar | 12 | 21/18 | 40 μm |



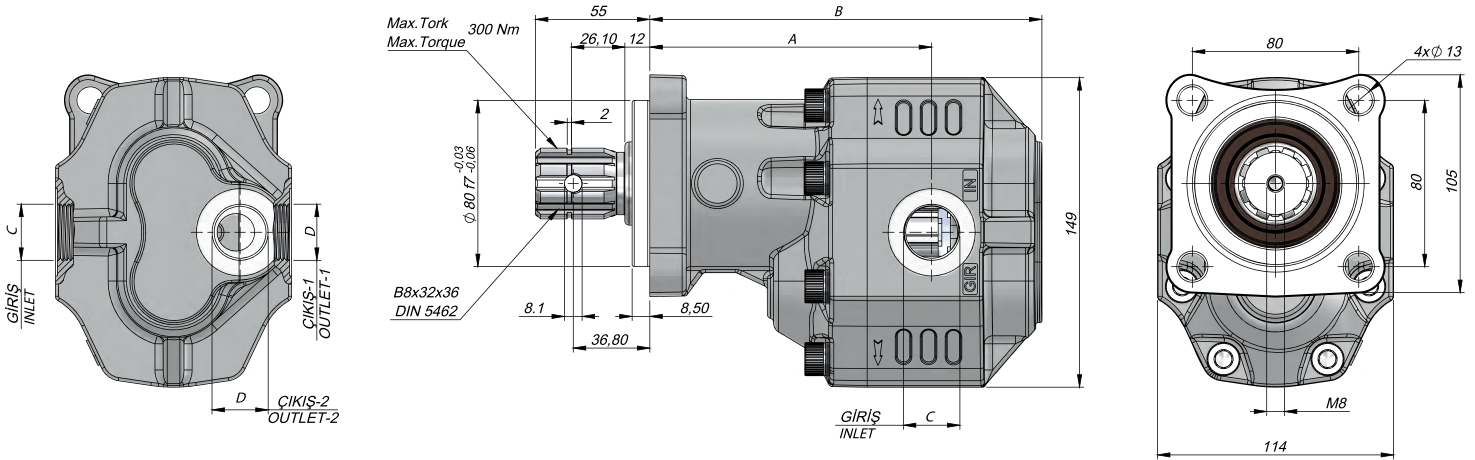
| Code | Displacement | Max. Cont. Pressure | Max. Intermittent Pressure | Max. Peak Pressure | Max. Continuous Speed | Max. Intermittent Speed | Min. Speed | A | B | Inlet | Outlet |
|------------------|------------------------|---------------------|----------------------------|--------------------|-----------------------|-------------------------|------------|-------|---------|---------|--------|
| BI-DIRECTIONAL | (cm ³ /rev) | (100%)(BAR) | (20 sec.max.)(BAR) | (6 sec.max.)(BAR) | (RPM) | (RPM) | (RPM) | (mm) | (mm) | C | C |
| KH01020170132B-2 | 17 | 300 | 310 | 320 | 2600 | 3000 | 300 | 124.5 | 171.5 | G1/2" | G1/2" |
| KH01020270132B-2 | 27 | 290 | 300 | 310 | | | | 129.5 | 177.5 | | |
| KH01020340132B-2 | 34 | 285 | 295 | 305 | 2300 | 2900 | | 130.5 | 182.5 | G3/4" | G3/4" |
| KH01020430132B-2 | 43 | 280 | 290 | 300 | | | | 135.5 | 188.5 | | |
| KH01020510132B-2 | 51 | 230 | 260 | 280 | 2100 | 2600 | | 135.5 | 193.5 | G1" | G1" |
| KH01020610132B-2 | 61 | 225 | 240 | 260 | | | | 142 | 201.5 | | |
| KH01020820132B-2 | 82 | 200 | 210 | 220 | 1700 | 1900 | | 146 | 212.5 | G1" | G1" |
| KH01021000132B-2 | 100 | 190 | 200 | 220 | | | | 160 | 225.5 | | |
| KH01021250132B-2 | 125 | 170 | 190 | 200 | 1600 | 1900 | 164 | 241.5 | G1 1/4" | G1 1/4" | |

TECHNICAL DATA

30 SERIES 4 HOLES ISO GEAR PUMP



| Inlet Pressure | | 0.7÷ 1.5 bar | |
|---------------------------|---------------|--------------|--------------|
| Operating Viscosity Range | | -12:100 cSt | |
| Fluid Temperature | | -10 °C+80 °C | |
| Working Pressure | Contamination | | Filter |
| | NAS 1638 | ISO 4406 | $\beta_x=75$ |
| ≥200 bar | 11 | 20/17 | 25 µm |
| ≤200 bar | 12 | 21/18 | 40 µm |



| Code | Displacement | Max.Continuous Pressure | Max.Intermittent Pressure | Max.Peak Pressure | Max.Continuous Speed | Max.Intermittent Speed | Min.Speed | A | B | Inlet | Outlet |
|----------------------|------------------------|-------------------------|---------------------------|-------------------|----------------------|------------------------|-----------|-------|-------|-------|--------|
| Left (L) / Right (R) | (cm ³ /rev) | (100%)(BAR) | (20 sec.max.)(BAR) | (6 sec.max.)(BAR) | (RPM) | (RPM) | (RPM) | (mm) | (mm) | C | D |
| KH01020170132L/R-2 | 17 | 300 | 310 | 320 | 2600 | 3000 | 300 | 124.5 | 171.5 | G1/2" | G1/2" |
| KH01020270132L/R-2 | 27 | 290 | 300 | 310 | | | | 129.5 | 177.5 | | |
| KH01020340132L/R-2 | 34 | 285 | 295 | 305 | 2300 | 2900 | | 130.5 | 182.5 | G3/4" | G3/4" |
| KH01020430132L/R-2 | 43 | 280 | 290 | 300 | | | | 135.5 | 188.5 | | |
| KH01020510132L/R-2 | 51 | 230 | 260 | 280 | 2100 | 2600 | | 135.5 | 193.5 | G1" | G3/4" |
| KH01020610132L/R-2 | 61 | 225 | 240 | 260 | | | | 142 | 201.5 | | |
| KH01020820132L/R-2 | 82 | 200 | 210 | 220 | 1700 | 2100 | | 146 | 212.5 | G1" | G1" |
| KH01021000132L/R-2 | 100 | 190 | 200 | 220 | | | | 1600 | 1900 | | |
| KH01021250132L/R-2 | 125 | 170 | 190 | 200 | 164 | 241.5 | | | | | |

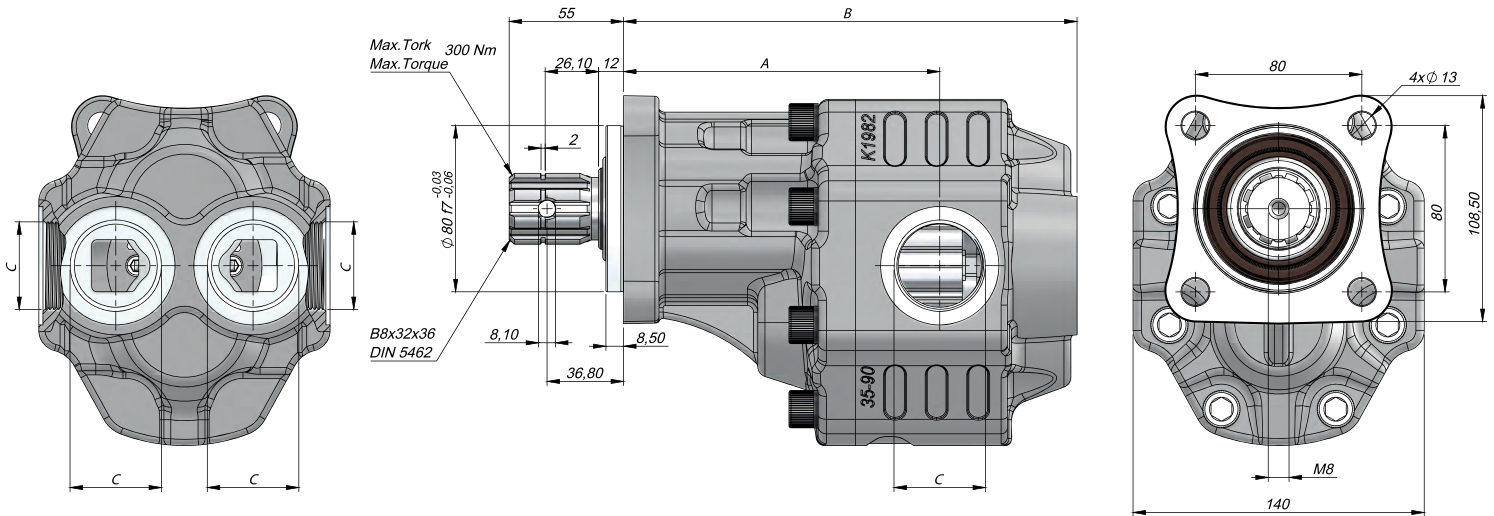
TECHNICAL DATA

35 SERIES 4 HOLES ISO BI-DIRECTIONAL GEAR PUMP



HYDRAULIC SYMBOL

| Inlet Pressure | | 0.7÷ 3 bar | |
|---------------------------|---------------|--------------|------------------|
| Operating Viscosity Range | | -12:100 cSt | |
| Fluid Temperature | | -10 °C+80 °C | |
| Working Pressure | Contamination | | Filter |
| | NAS 1638 | ISO 4406 | $\beta_x=75$ |
| ≥ 200 bar | 11 | 20/17 | 25 μm |
| ≤ 200 bar | 12 | 21/18 | 40 μm |



| Code | Displacement | Max.Continuous Pressure | Max.Intermittent Pressure | Max.Peak Pressure | Max.Continuous Speed | Max.Intermittent Speed | Min.Speed | A | B | Inlet | Outlet |
|------------------|------------------------|-------------------------|---------------------------|-------------------|----------------------|------------------------|-----------|-------|-------|------------------------------|--------|
| BI-DIRECTIONAL | (cm ³ /rev) | (100%)(BAR) | (20 sec.max.)(BAR) | (6 sec.max.)(BAR) | (RPM) | (RPM) | (RPM) | (mm) | (mm) | C | C |
| KH01030600122B-2 | 60 | 250 | 270 | 290 | 1800 | 2500 | 300 | 146 | 205 | G1" | |
| KH01030820122B-2 | 82 | 240 | 260 | 280 | | | | 148 | 214 | G1 1/4" (G1" Alternative) | |
| KH01030900122B-2 | 90 | 230 | 250 | 270 | | | | 152 | 218 | G1 1/4" | |
| KH01031000122B-2 | 100 | 220 | 240 | 260 | | | | 153 | 236 | | |
| KH01031100122B-2 | 110 | 205 | 220 | 250 | | | | 154.5 | 230 | | |
| KH01031250122B-2 | 125 | 195 | 215 | 230 | | | | 158 | 240.5 | | |

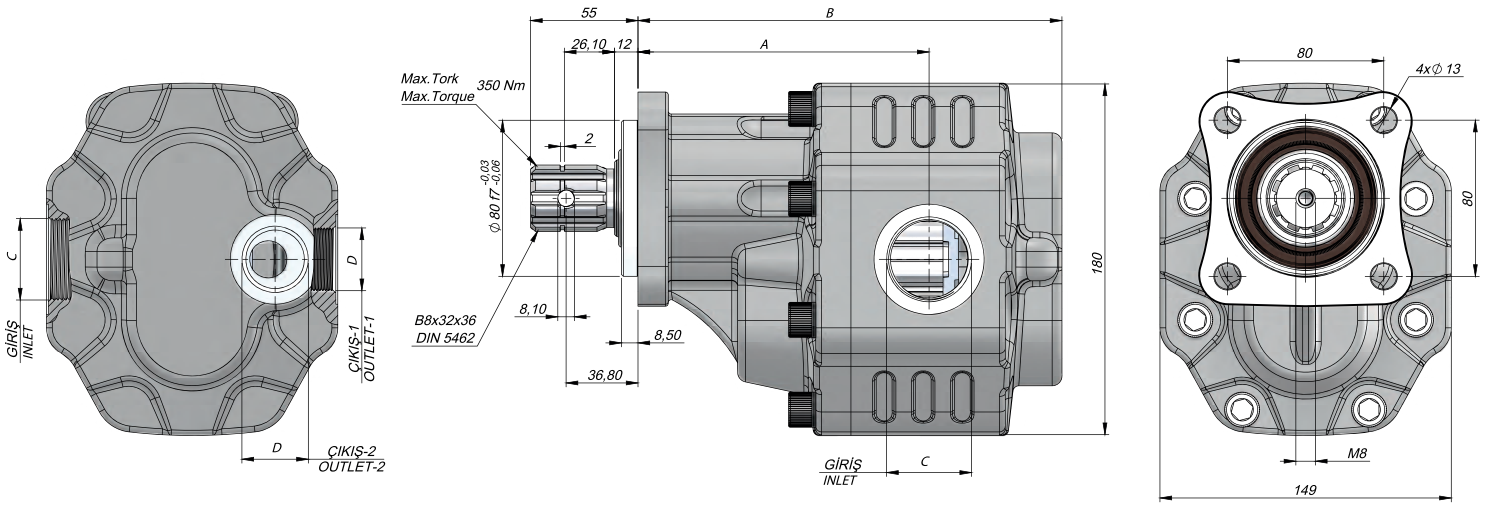
TECHNICAL DATA

40 SERIES 4 HOLES ISO BI-DIRECTIONAL GEAR PUMP



HYDRAULIC SYMBOL

| Inlet Pressure | | 0.7÷ 1.5 bar | |
|---------------------------|---------------|--------------|------------------|
| Operating Viscosity Range | | -12:100 cSt | |
| Fluid Temperature | | -10 °C+80 °C | |
| Working Pressure | Contamination | | Filter |
| | NAS 1638 | ISO 4406 | $\beta_x=75$ |
| ≥ 200 bar | 11 | 20/17 | 25 μm |
| ≤ 200 bar | 12 | 21/18 | 40 μm |



| Code | Displacement | Max.Continuous Pressure | Max.Intermittent Pressure | Max.Peak Pressure | Max.Continuous Speed | Max.Intermittent Speed | Min.Speed | A | B | Inlet | Outlet |
|--------------------|------------------------|-------------------------|---------------------------|-------------------|----------------------|------------------------|-----------|-------|------|---------|--------|
| Left (L)/Right(R) | (cm ³ /rev) | (100%)(BAR) | (20 sec.max.)(BAR) | (6 sec.max.)(BAR) | (RPM) | (RPM) | (RPM) | (mm) | (mm) | C | D |
| KH01040630152L/R-2 | 63 | 280 | 310 | 330 | 1800 | 2800 | 300 | 139 | 200 | G1" | G3/4" |
| KH01040730152L/R-2 | 73 | 275 | 300 | 320 | | | | 139 | 204 | | |
| KH01040870152L/R-2 | 87 | 265 | 285 | 300 | | | | 143 | 209 | G1 1/4" | |
| KH01041090152L/R-2 | 109 | 240 | 260 | 285 | 1500 | 2500 | 300 | 149 | 217 | G1" | G1" |
| KH01041330152L/R-2 | 133 | 230 | 250 | 270 | | | | 150 | 226 | | |
| KH01041510152L/R-2 | 151 | 180 | 200 | 230 | | | | 152.5 | 232 | G1 1/2" | |